

# AV, AVI

# Unboxing & Implant

# Instructions

Updated Dec 19, 2022

Read this manual carefully before planning your surgery.

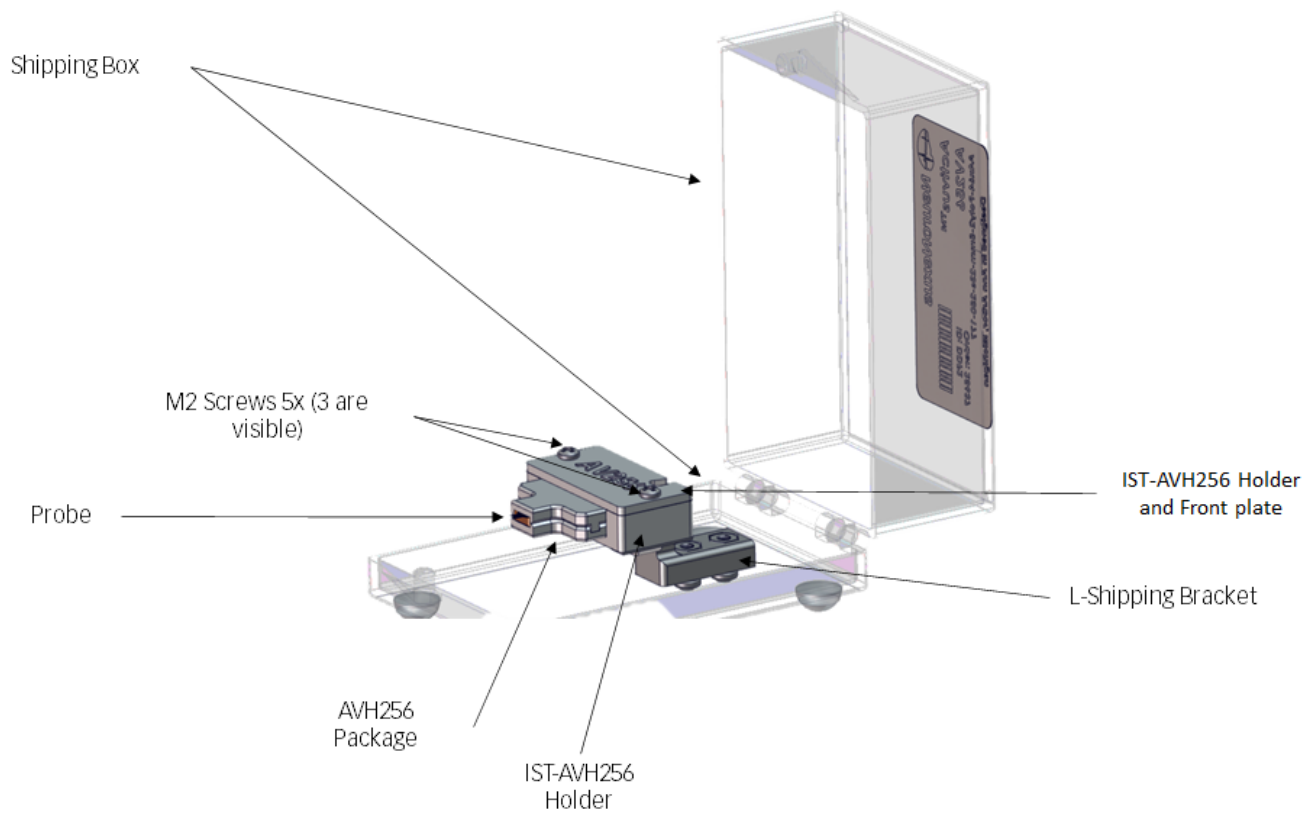
This manual applies the following Packages:  
AV64, AVI64, AV128, AVI128, AV256 and AVI256

- Examine the probe before opening the box.
- Make sure the probe hasn't broken
- **Note:** Any damage one might see that has occurred before the box has been opened.
- If there is visual damage, please document it with photos. Then reach out to your account manager to see about replacement.

General surgical guidelines and craniotomy instructions can be found here:

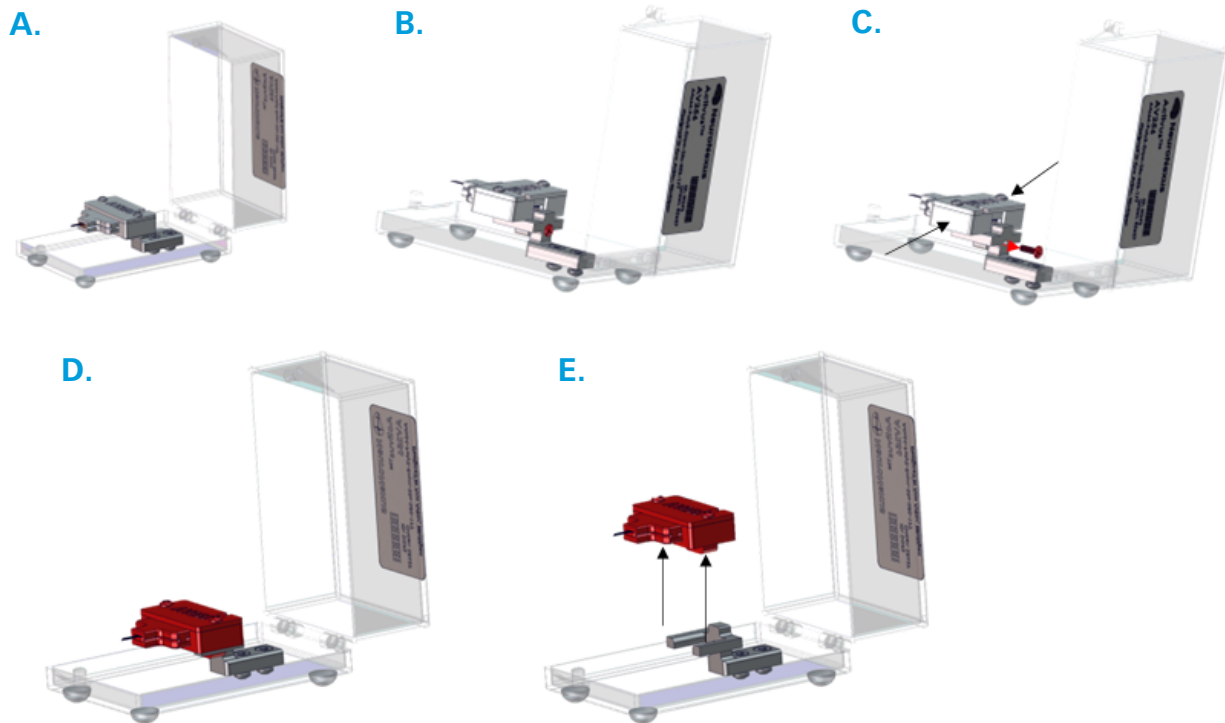
<https://www.neuronexus.com/files/technicalsupportdocuments/General-Surgery-Guidelines.pdf>

## Product Component Callouts



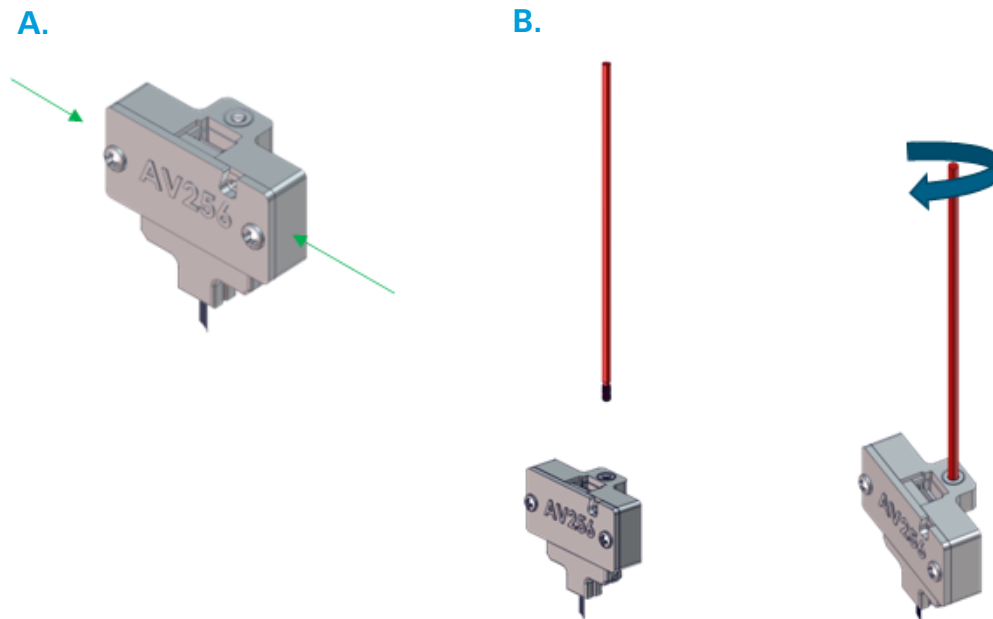
## 1 Remove AV256 From Shipping Box

- A. Carefully remove any tape outside the box. **Note:** It is wise to discard the tape to prevent it accidentally cause future issues.
- B. Open the box **slowly**. The top lid will open 180° (note illustrated).
- C. **Before removing** the probe, locate probe and shank tips and be always **very mindful** of their location, at **all times**.
- D. Remove the M2 Screw holding the Package in the L-Shipping Bracket. **Do not** leave the screw in the bottom of the box as this could lead to damaging the probe. Support the package back grip the point indicated but the green arrows.
- E. **Slowly** lift package upwards so it clears the box. Once package has cleared box, Shipping Box can be removed from area.



## 2 Attacking Package IST-2mm Rod

- A. Still holding the sides of the package (see green arrows), take the provided IST-2mm rod, thread it into the AVIH IST-Holder.
- B. Attach the IST-2mm rod to a stereotaxic (See blue arrow).
- C. Once secure, one may now lower the array down, so it can be implanted.



### 3 If Dental Cementing to Skull or need to remove IST-AV256 Holder

- A. If one is deciding to dental cement the AV256 package to the skull or just want to remove the package from the IST-AV256 Holder, follow the next steps.
- B. Remove the two M2x4mm long screws from the front plate. These can be discarded for now. **Make sure** to support the front Plate so it does fall on to the animal.
- C. If you are using a stereotaxic, move it in the backward direction, until it is completely cleared the fix package. The Raise it up and out of the way.
- D. If it isn't attached a stereotaxic, then hold the package by the front and back of it. **Slowly** pop it out of the IST-AV56 Holder.

