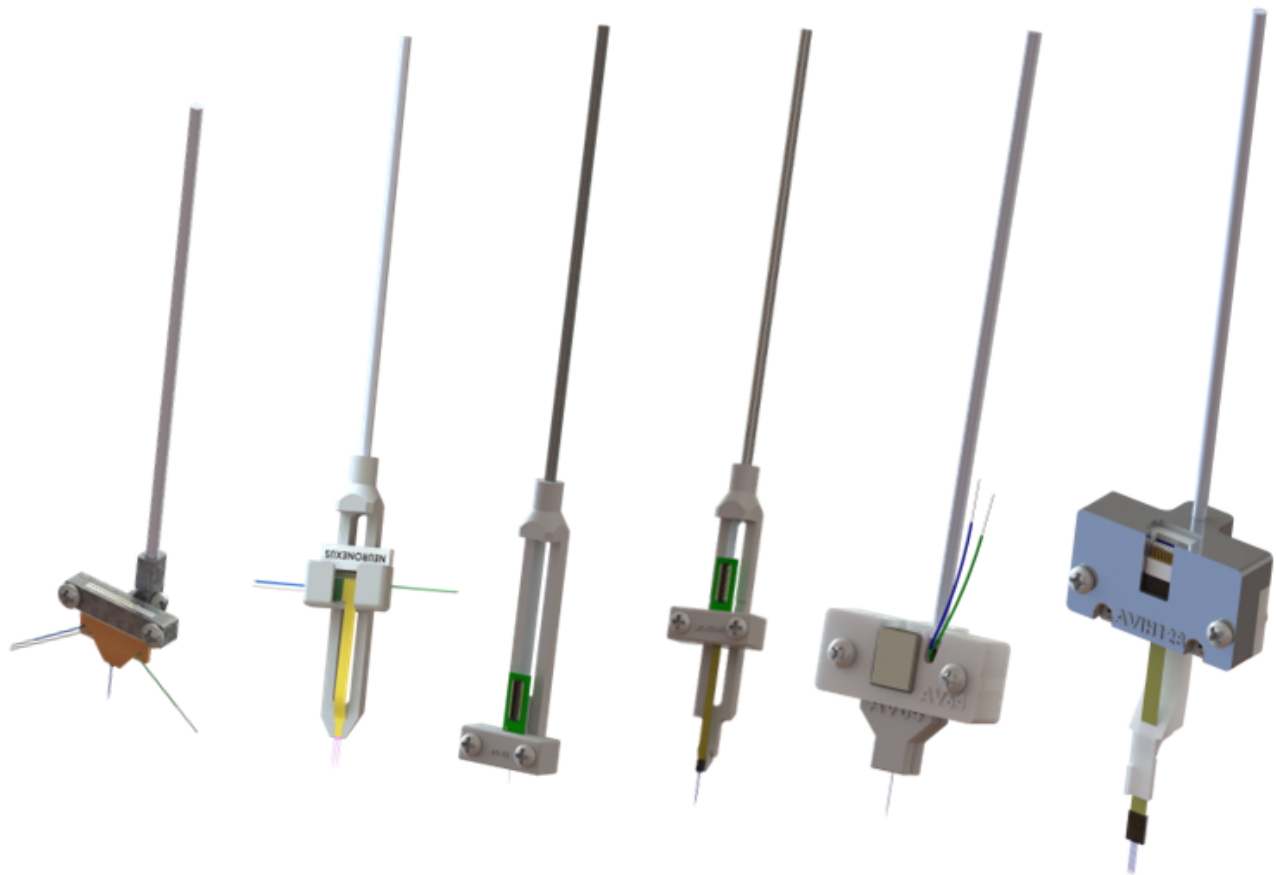


IST Quick Guide



Updated July 29, 2024

IST-CM

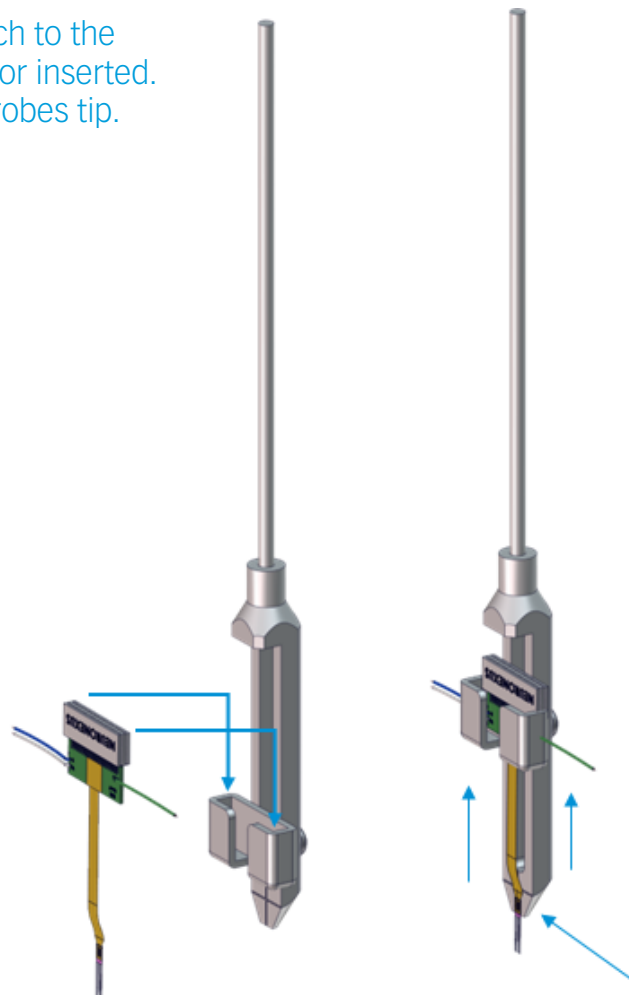
- A. Place the CM package **carefully** in the IST-CM Holder.
- B. While holding the package in place. Set clamp over the holder and secure it with the two M2 screws.

Note: Always Be Mindful of the probe tip.



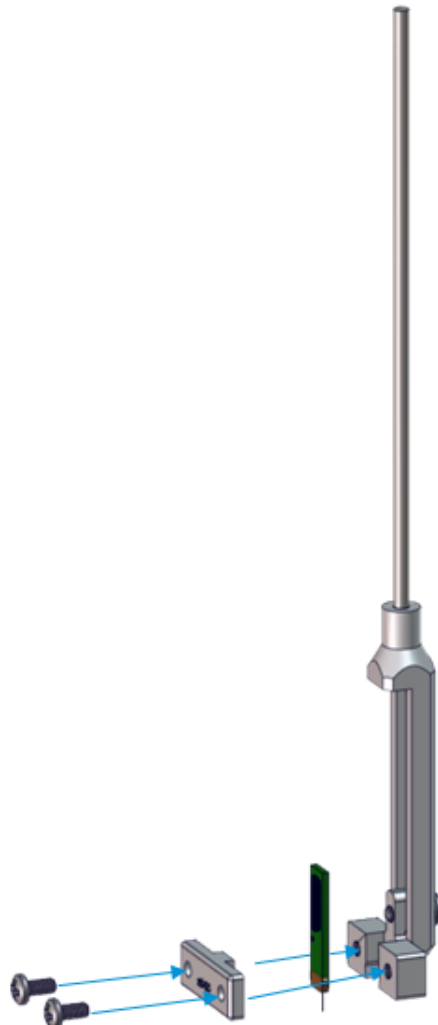
IST-Hybrid

- A. Loosen the M2 Phillips Screw on the backside of IST-Hybrid and lower the IST-holder to the bottom of the IST-Hybrid.
 - B. **Carefully** Slide the Hybrid package in the holder. One might want to adjust wires at this time. **Make sure** they **don't** run into the probe.
 - C. Again, Loosen the M2 screw, while holding the package in the holder **carefully** Slide the IST-Holder up the IST-Hybrid, so that the probe is resting on the flat of the IST-Hybrid (see blue arrow). Make Sure only the shanks are hanging off the IST-Hybrid.
 - D. With the desired Adhesive (PEG, or something stronger and biocompatible) and fix the probe to the IST-Hybrid.
 - E. Now the IST- is ready to be attach to the Stereotactic equipment and read for inserted.
- Note:** Always Be Mindful of the probes tip.



IST-X3-16/32/64

- A. Place the x3-package in the IST-Holder.
- B. Place the IST-Clamp over the holder and package.
- C. While holding the package in place. Secure the clamp over the holes and secure it with two M2 screws.
- D. **Make sure** that the IST-Holder is in its lowest position on the IST-Hybrid. If one needs to lower the holder, loosen up the M2 screw on the back side of the IST-Hybrid. Lower the Holder in the Implant position and re-tighten the screw.
- E. Attach to stereotactic equipment and is now ready for insertion.



p.4

IST-X3-H16/32/64

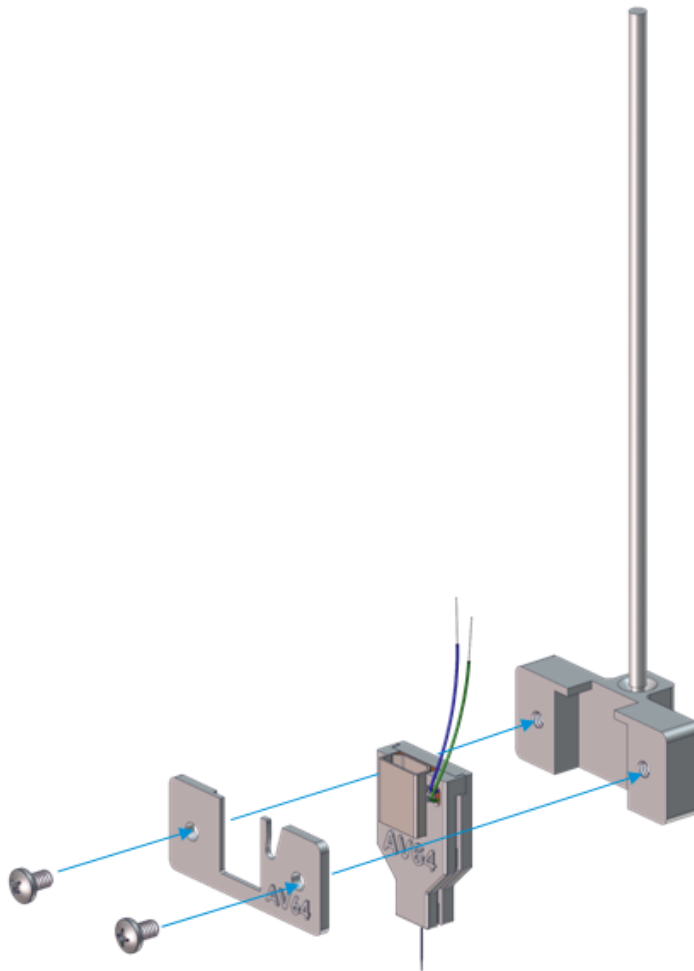
- A. Place the X3 hybrid package Carefully in the IST-X3-H Holder
 - B. While holding the package in place. Set Clamp over the holes and secure it with two M2 screws.
 - C. With the desired Adhesive (PEG, or something stronger and biocompatible) and fix the probe to the IST-X3-Hybrid.
 - D. Now the IST-X3-Hybrid is ready to be attach to the Stereotactic equipment and read for inserted.
- Note: Always Be Mindful of the probes tip.



p.5

IST-AV/164/128/256

- A. Place the AV package **carefully** in the IST-AV Holder
- B. While holding the package in place. Set Clamp over the holes and secure it with two M2 screws.
- C. Now one can attach the IST-2mm Rod to the stereotactic equipment and is now ready for insertion.



IST-AV/IH64/128/256

- A. First, attach the IST-PIM (Probe Inserter Mount), by attaching it to the backside of the IST-Holder, and secure it with the two M2 screws.
- B. Place the AV/IH package Carefully in the IST-AVH Holder
- C. While holding the package in place. Set Clamp over the holes and secure it with two M2 screws.
- D. With the desired Adhesive (PEG, or something stronger and biocompatible) and fix the probe to the IST-Hybrid.
- E. Now the IST- is ready to be attach to the Stereotactic equipment and read for inserted.

