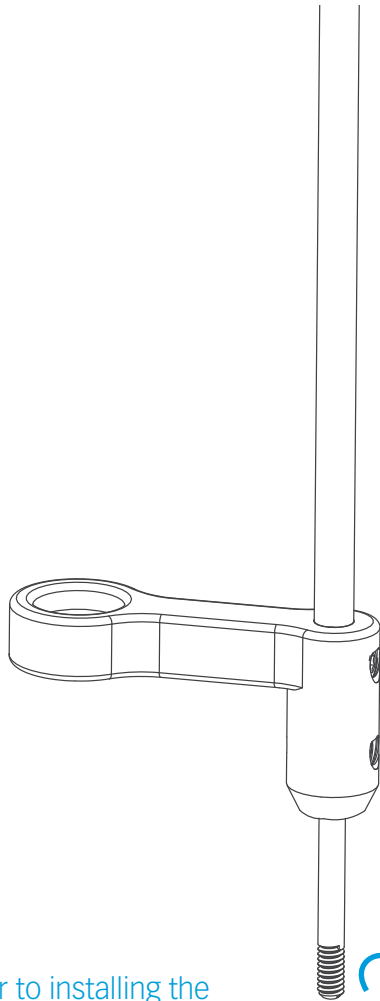


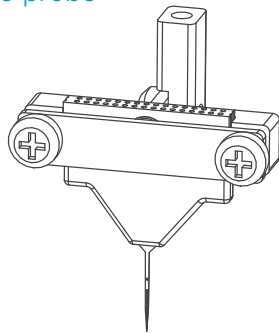
# IST-Motor Setup Instructions

**Updated March 05, 2021**

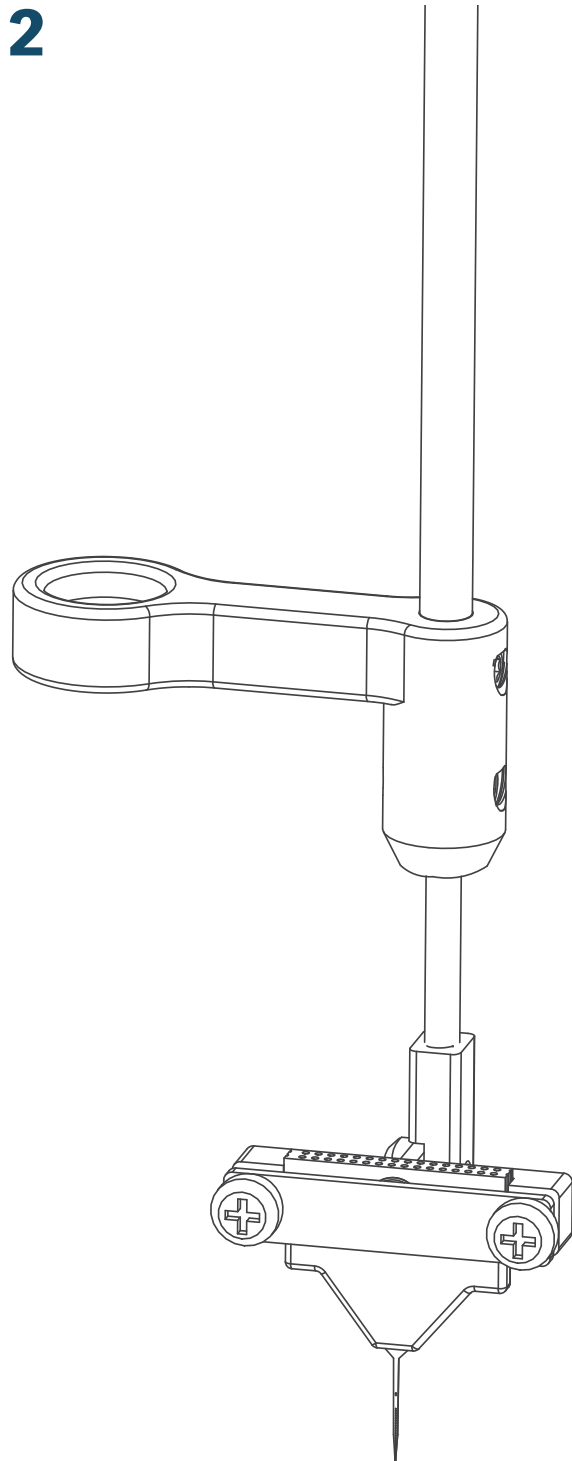
**1**



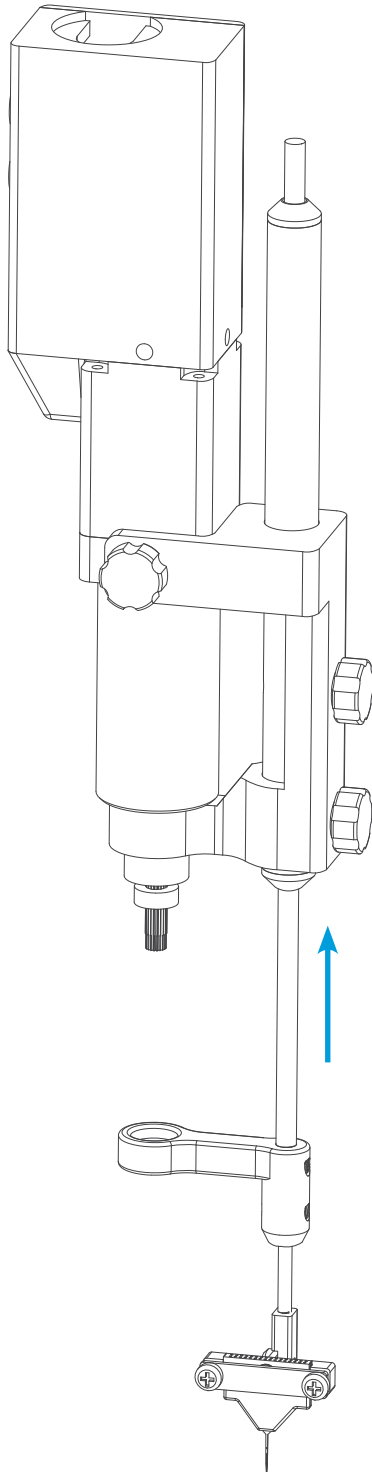
Prior to installing the  
IST-Motor, connect the  
headstage to the probe



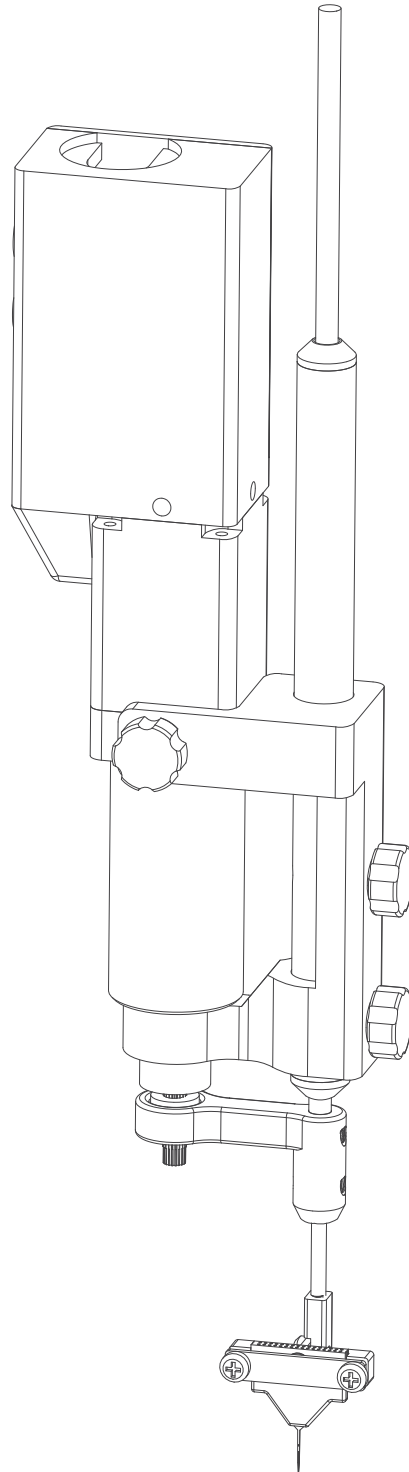
**2**



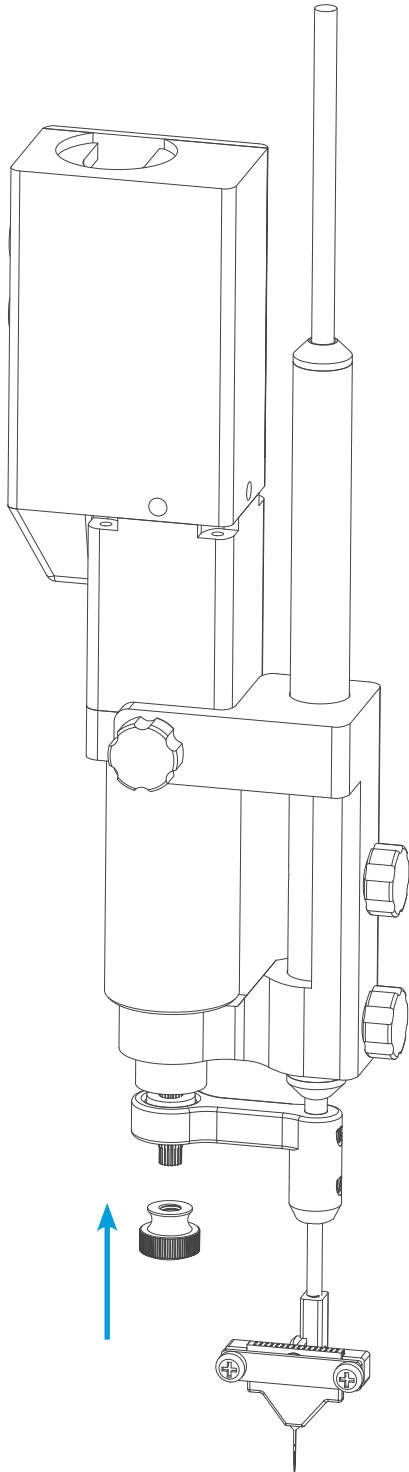
**3**



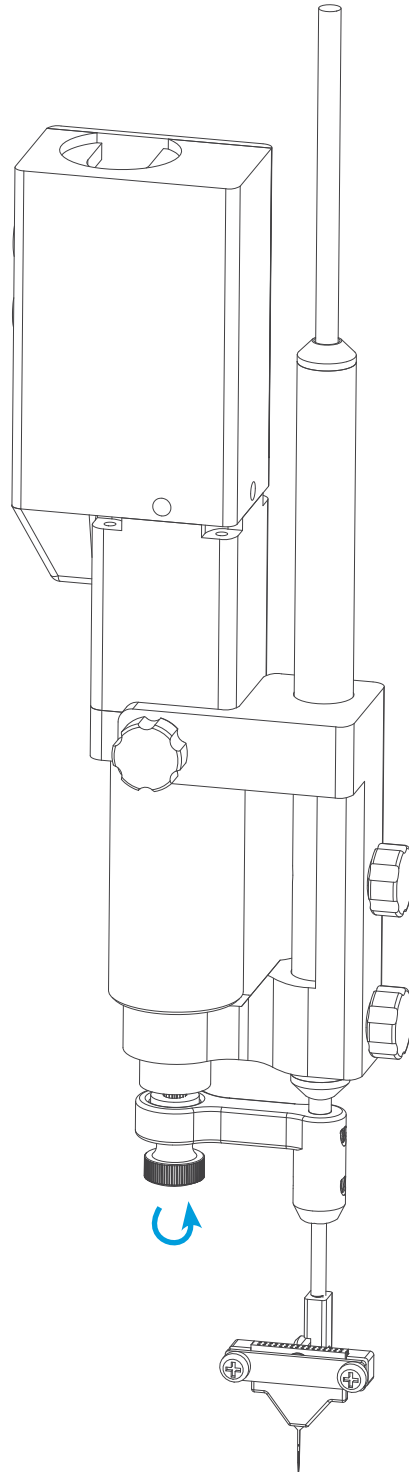
**4**



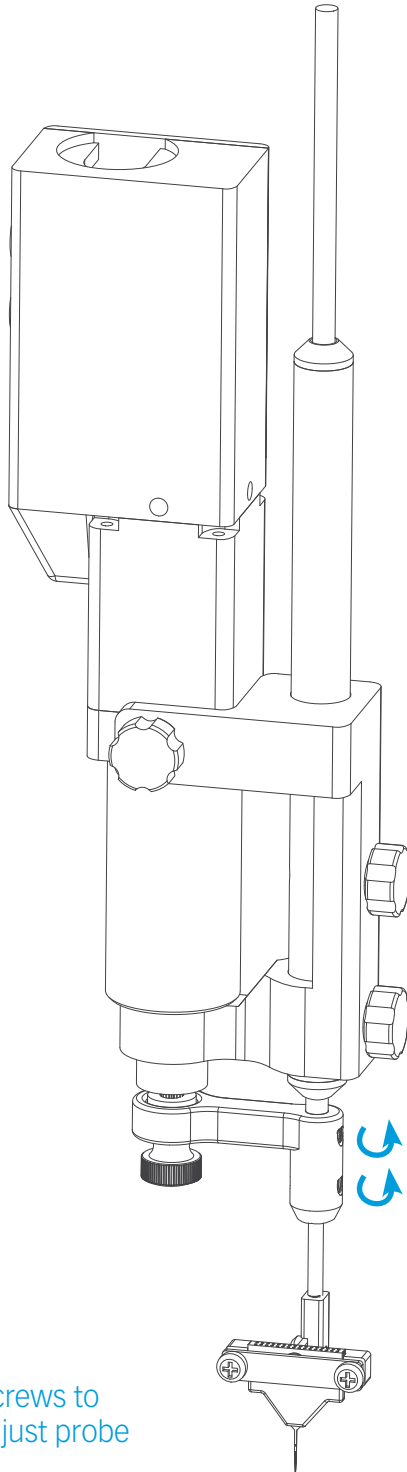
**5**



**6**

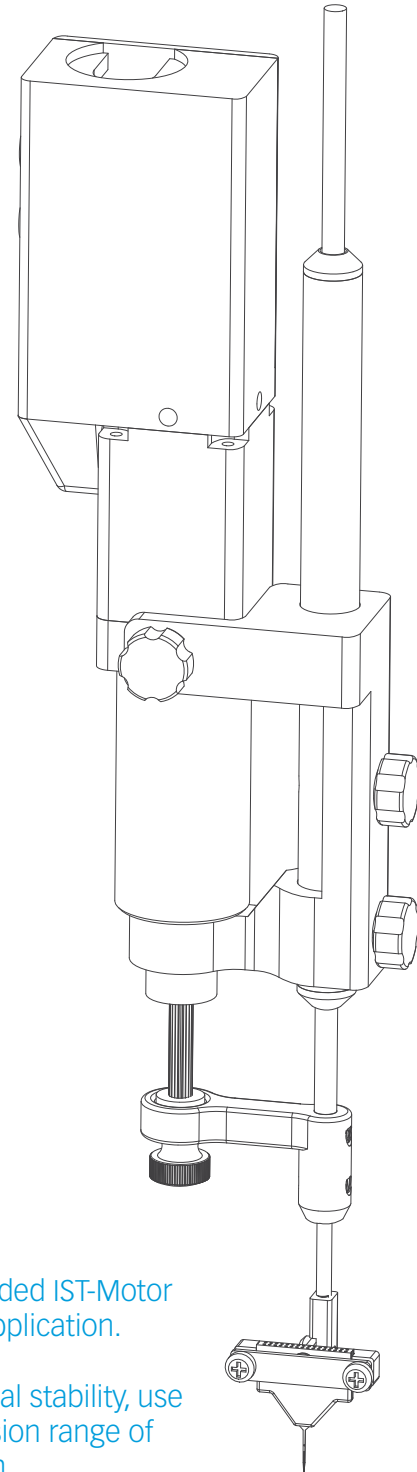


**7**



Loosen set screws to rotate and adjust probe orientation.

**8**



Use provided IST-Motor control application.

For optimal stability, use an extension range of 0 - 20 mm.