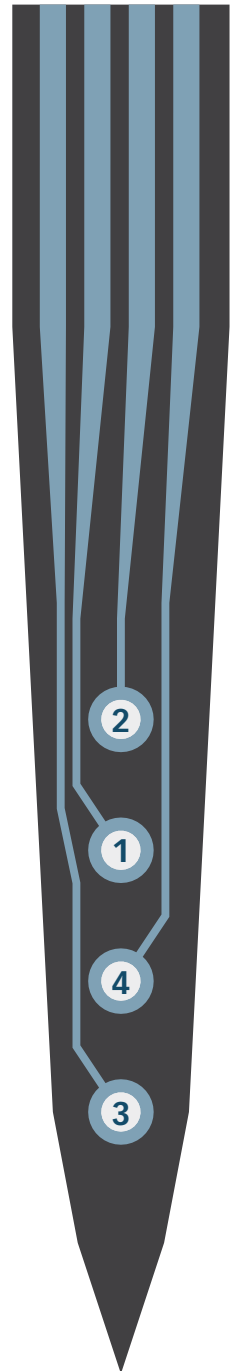




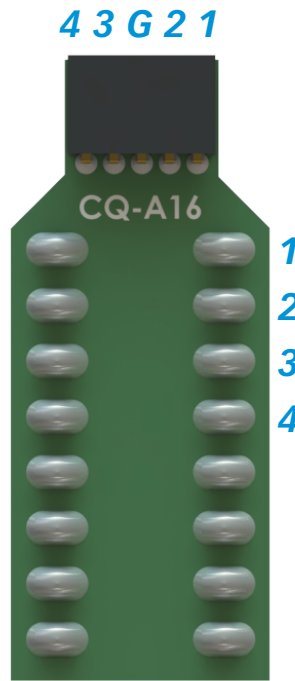
**Qtrode - tetraode**



**Qtrode - linear**

**CQ4 Pin Out****HQ4 Pin Out**

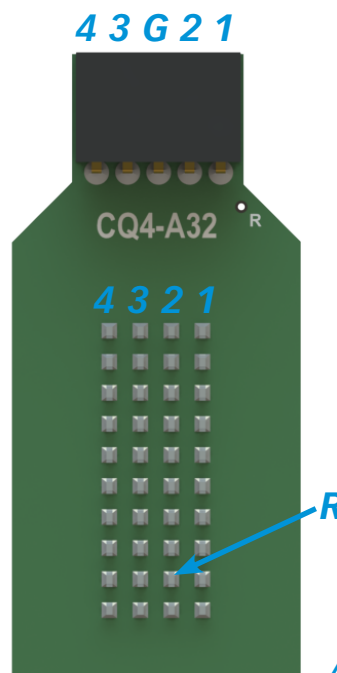
### A16 Adaptor



*NOTE: This map may not correspond directly to the CQ4 or HQ4 map. The adaptor map only describes the channel routing within the adaptor.*

*All unused pins: Ground*

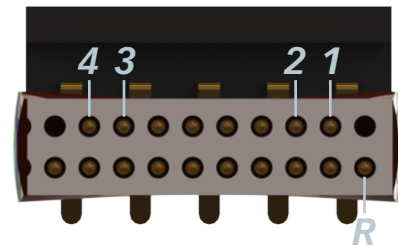
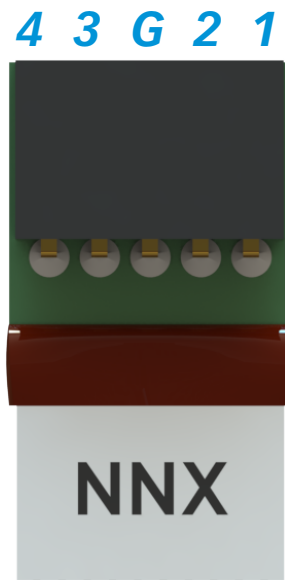
### A32 Adaptor



*NOTE: This map may not correspond directly to the CQ4 or HQ4 map. The adaptor map only describes the channel routing within the adaptor.*

*All unused pins: Ground*

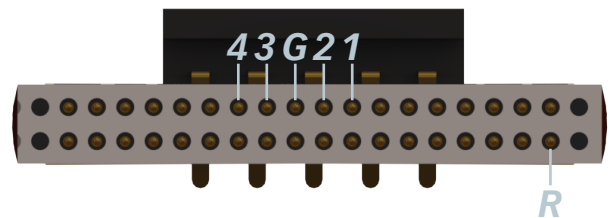
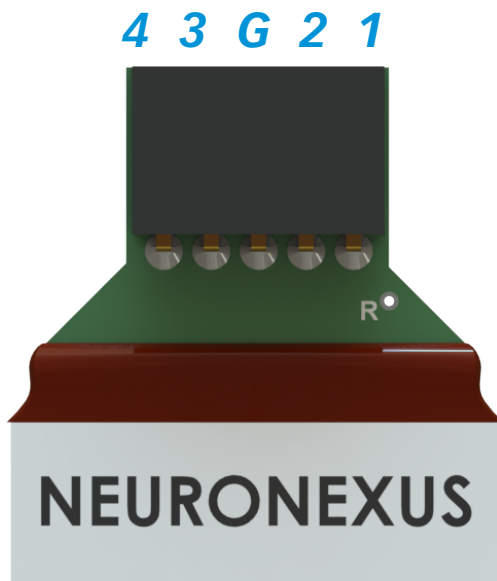
### OM16 Adaptor



*NOTE: This map may not correspond directly to the CQ4 or HQ4 map. The adaptor map only describes the channel routing within the adaptor.*

*All unused pins: Ground*

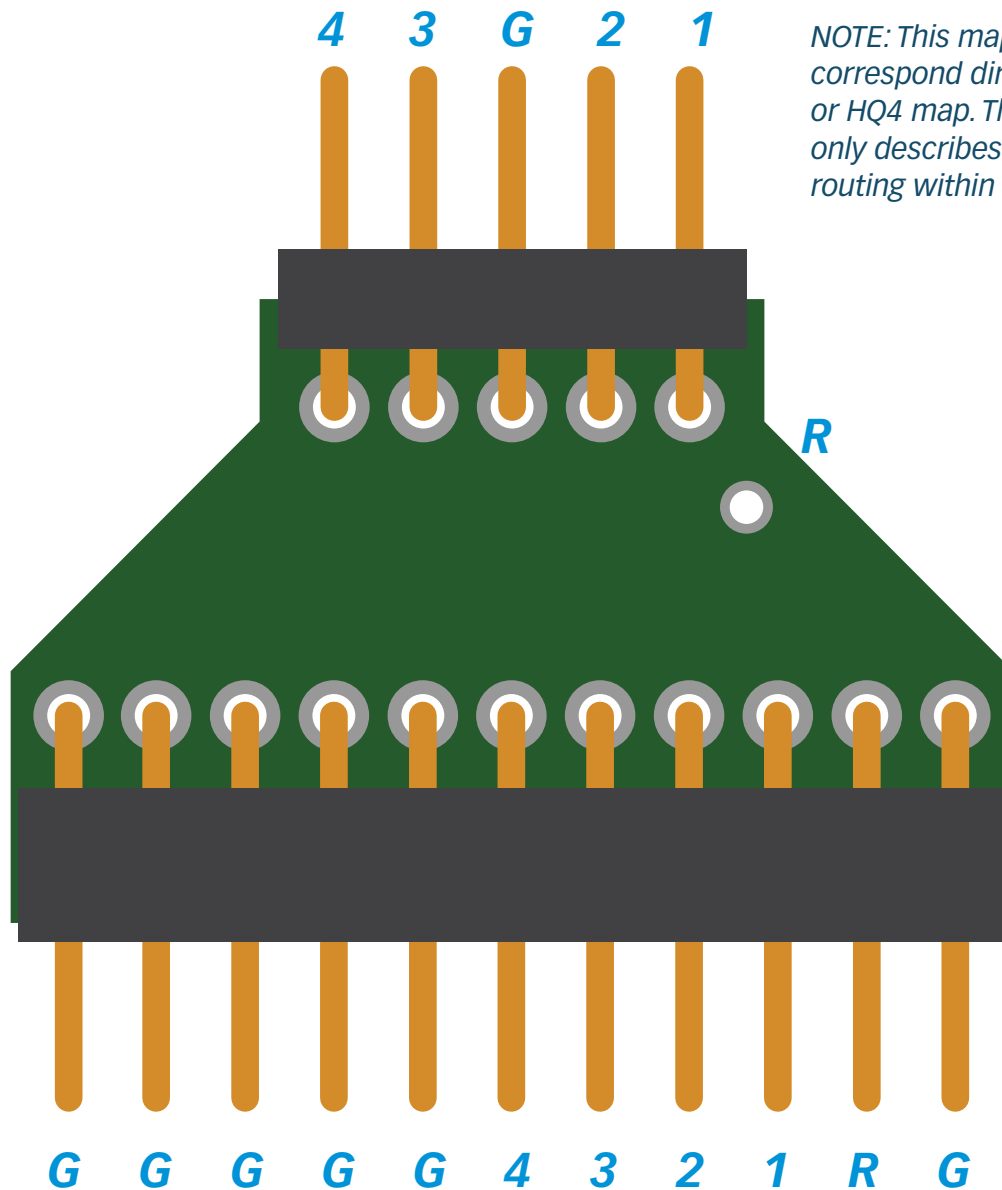
### OM32 Adaptor



*NOTE: This map may not correspond directly to the CQ4 or HQ4 map. The adaptor map only describes the channel routing within the adaptor.*

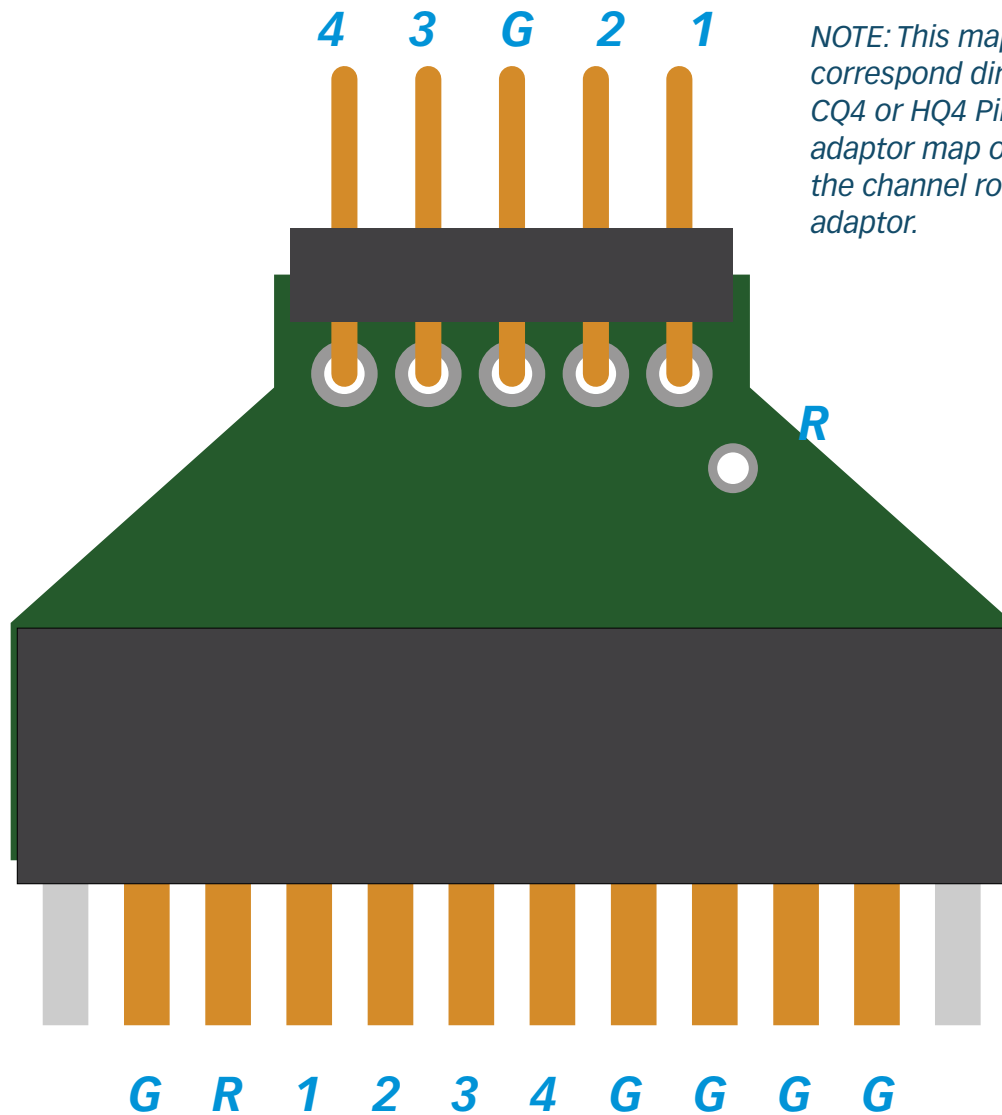
*All unused pins: Ground*

Adpt.CQ4-MilMax



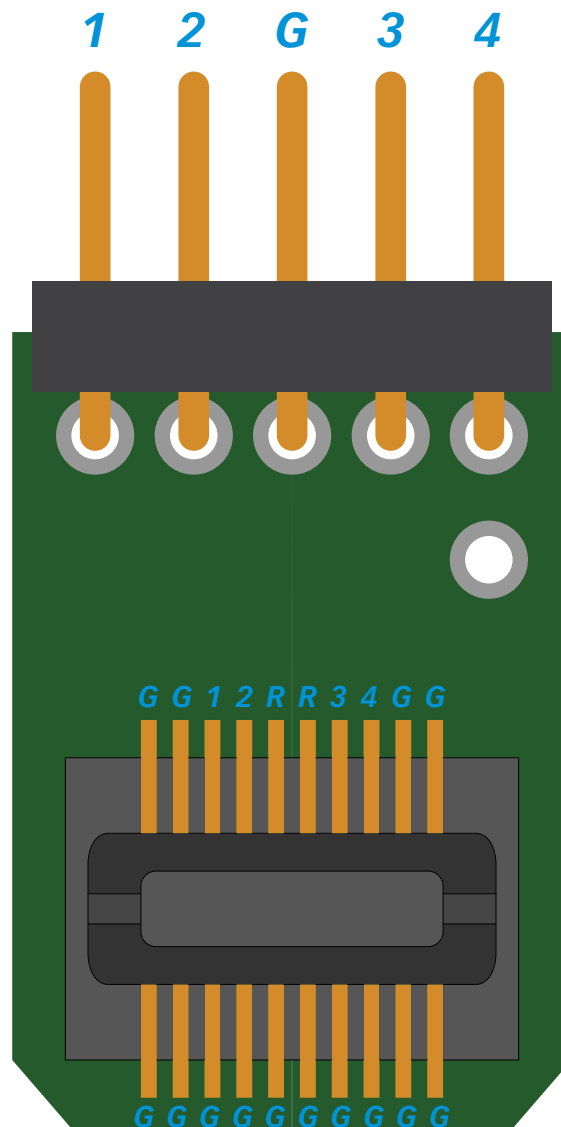
*NOTE: This map may not correspond directly to the CQ4 or HQ4 map. The adaptor map only describes the channel routing within the adaptor.*

Adpt.CQ4-OM8



*NOTE: This map may not correspond directly to the CQ4 or HQ4 Pin Out maps. The adaptor map only describes the channel routing within the adaptor.*

### Adpt.CQ4-Z16/32



*NOTE: This map may not correspond directly to the CQ4 or HQ4 Pin Out maps. The adaptor map only describes the channel routing within the adaptor.*