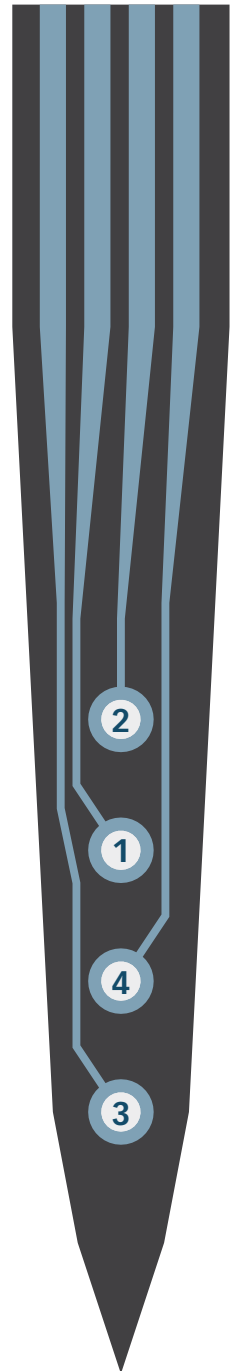


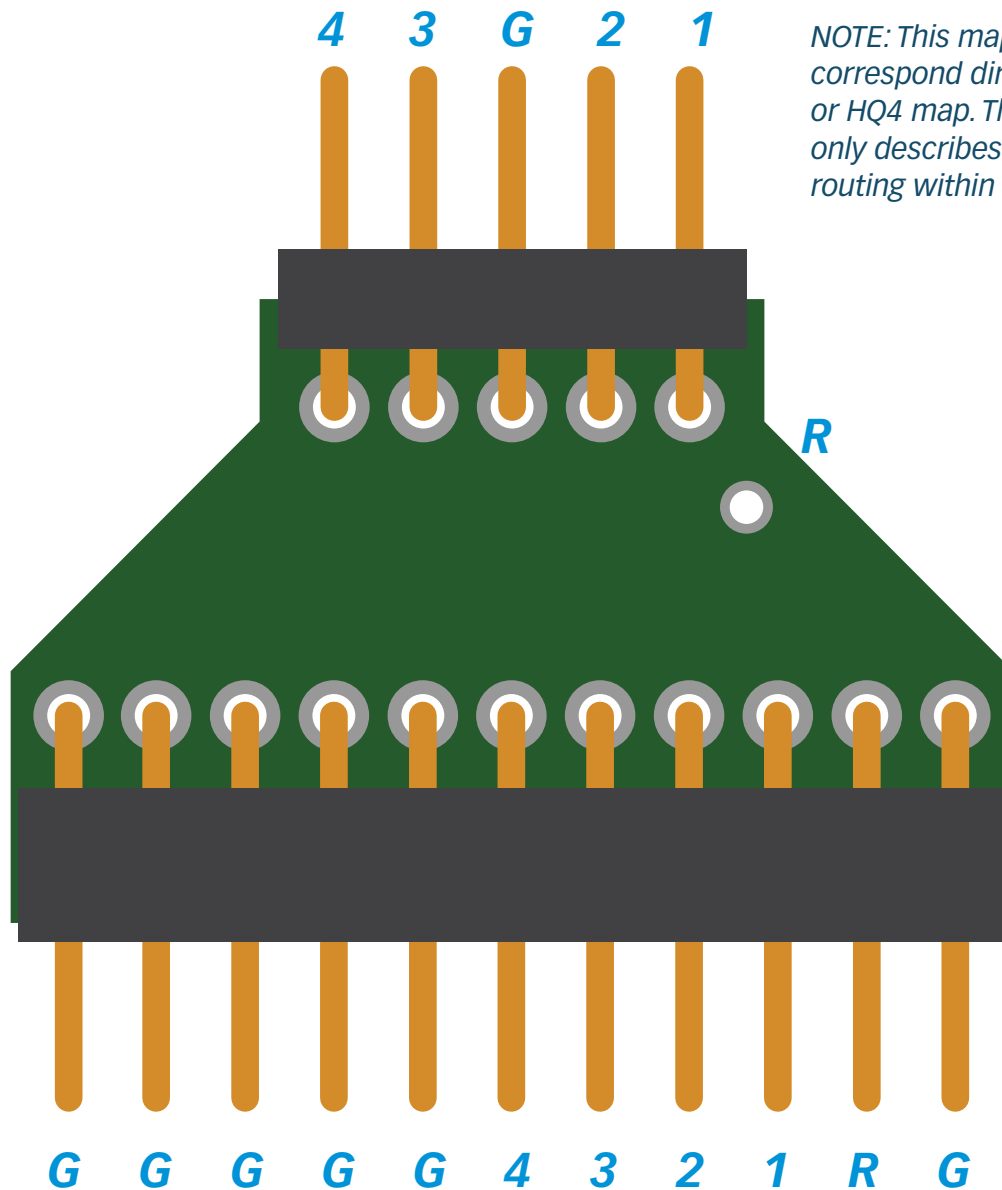


Qtrode - tetrode



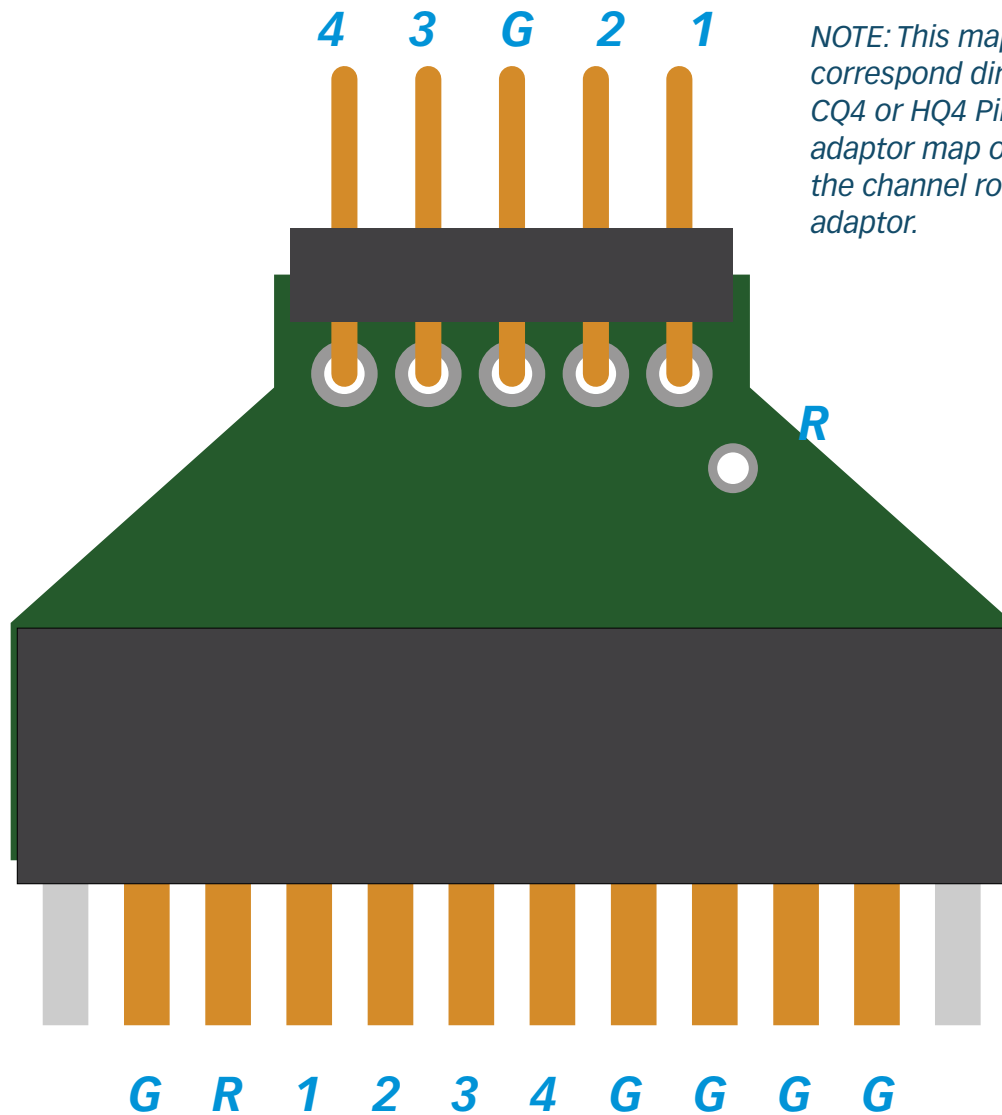
Qtrode - linear

Adpt.CQ4-MilMax



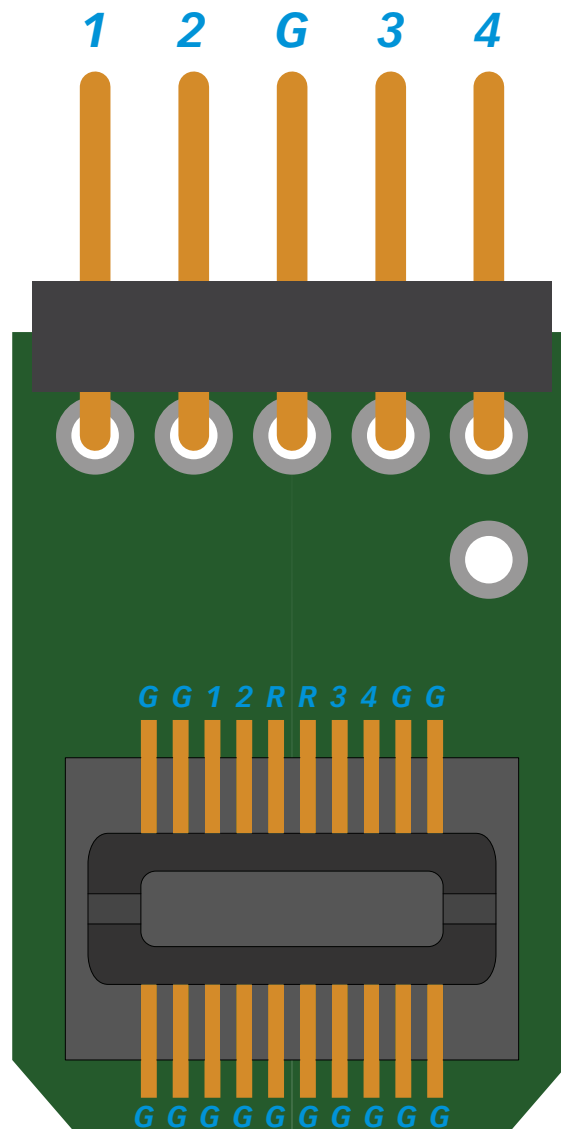
NOTE: This map may not correspond directly to the CQ4 or HQ4 map. The adaptor map only describes the channel routing within the adaptor.

Adpt.CQ4-OM8



NOTE: This map may not correspond directly to the CQ4 or HQ4 Pin Out maps. The adaptor map only describes the channel routing within the adaptor.

Adpt.CQ4-Z16/32



NOTE: This map may not correspond directly to the CQ4 or HQ4 Pin Out maps. The adaptor map only describes the channel routing within the adaptor.