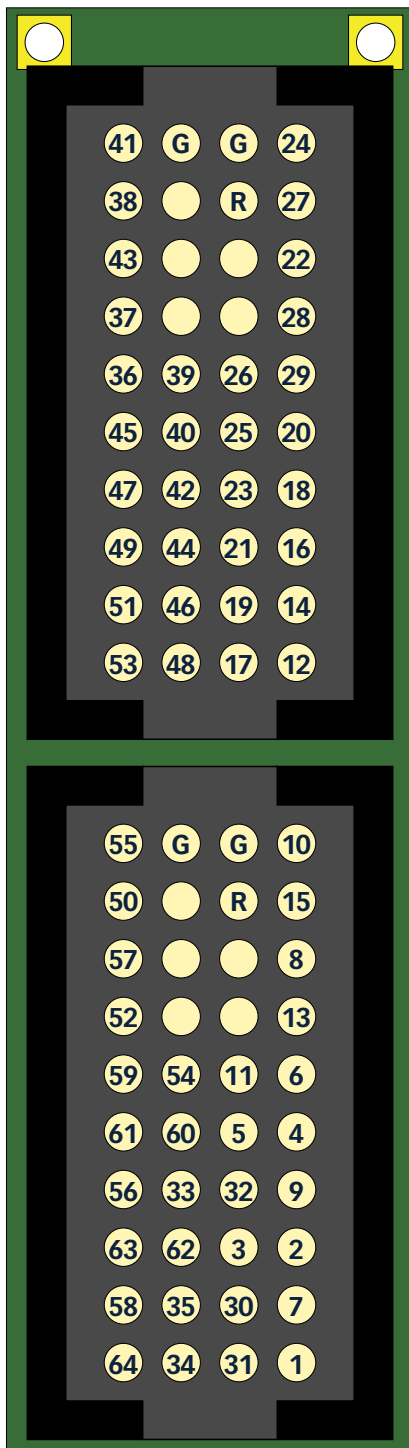


A64 Connector

p.1



G = Ground
R = Probe Reference

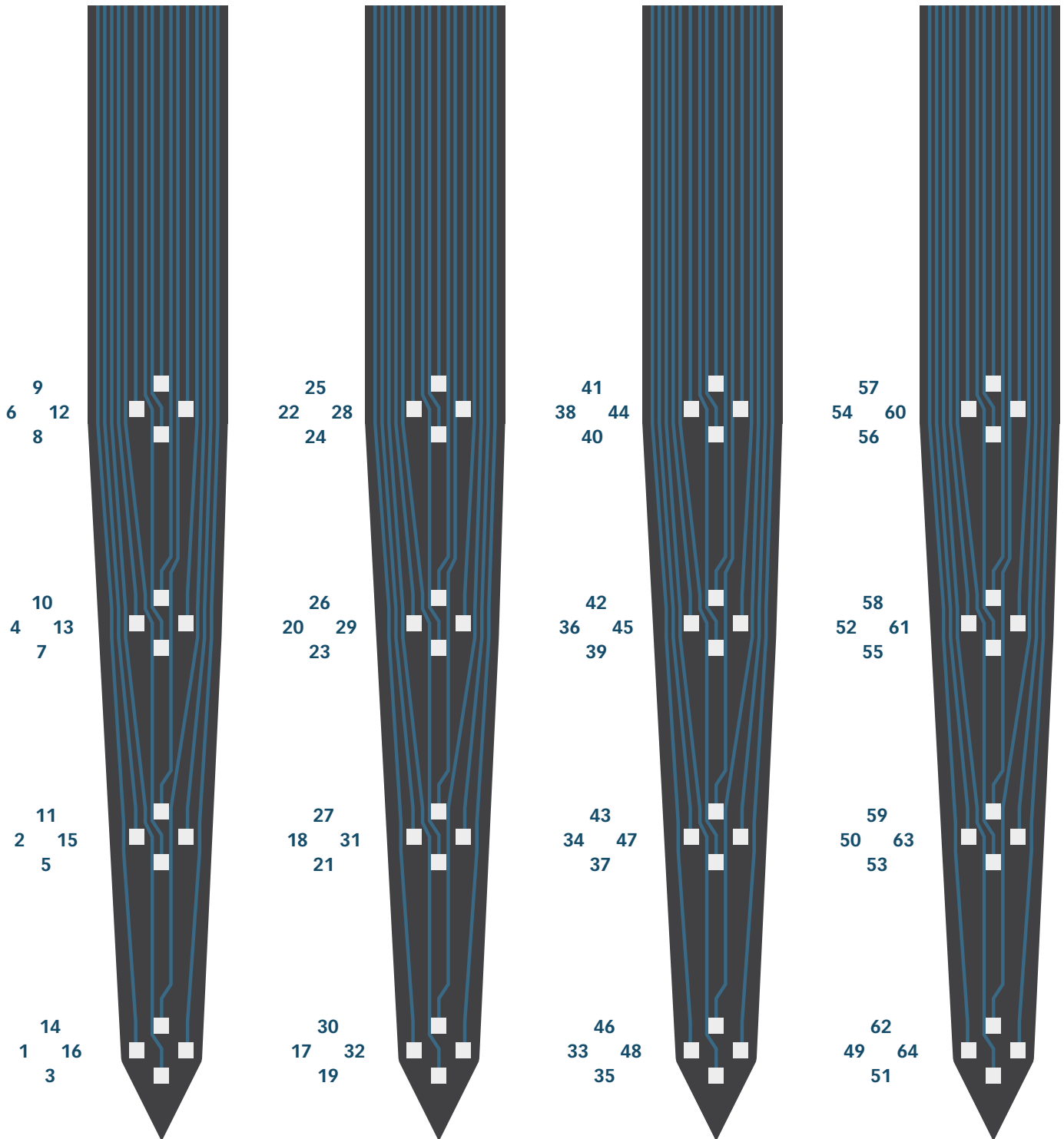
SPECIFICATIONS

Connector	(2x) SAMTEC MOLC-110-01-S-Q
Mating Connector	(2x) SAMTEC FOLC-140-01-S-Q



A4x4-tet

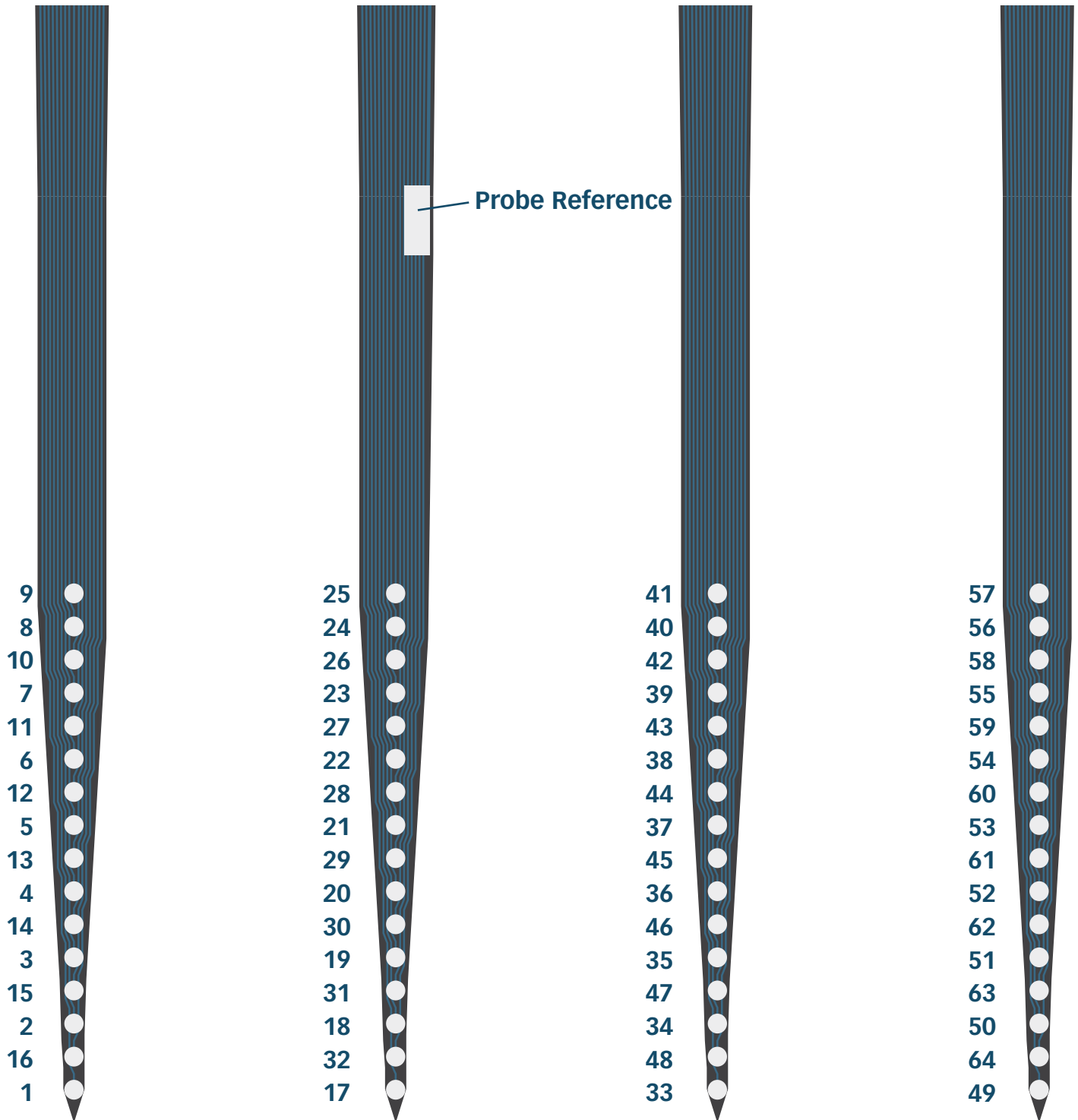
p.2





A4x16

p.3

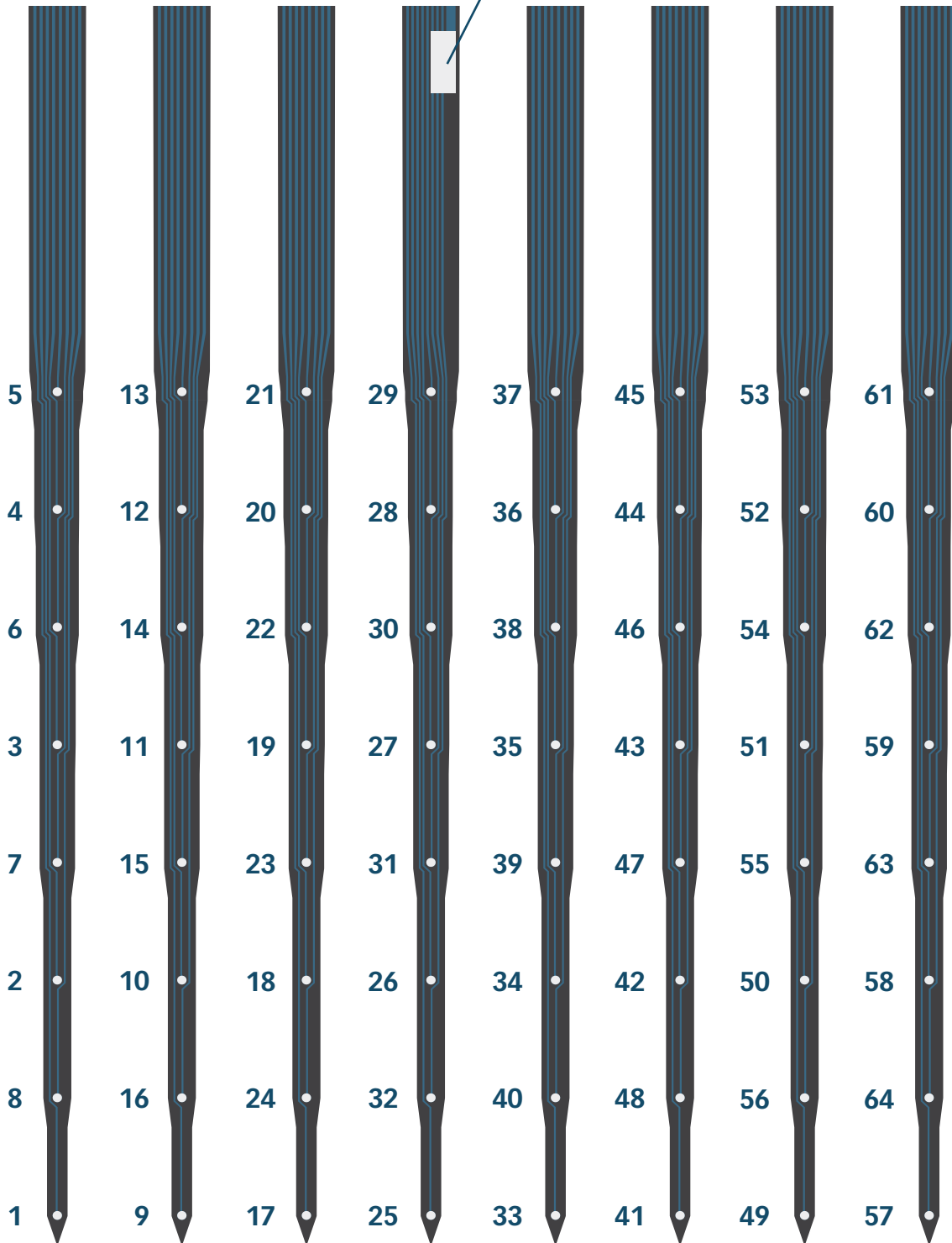




A8x8

Probe Reference

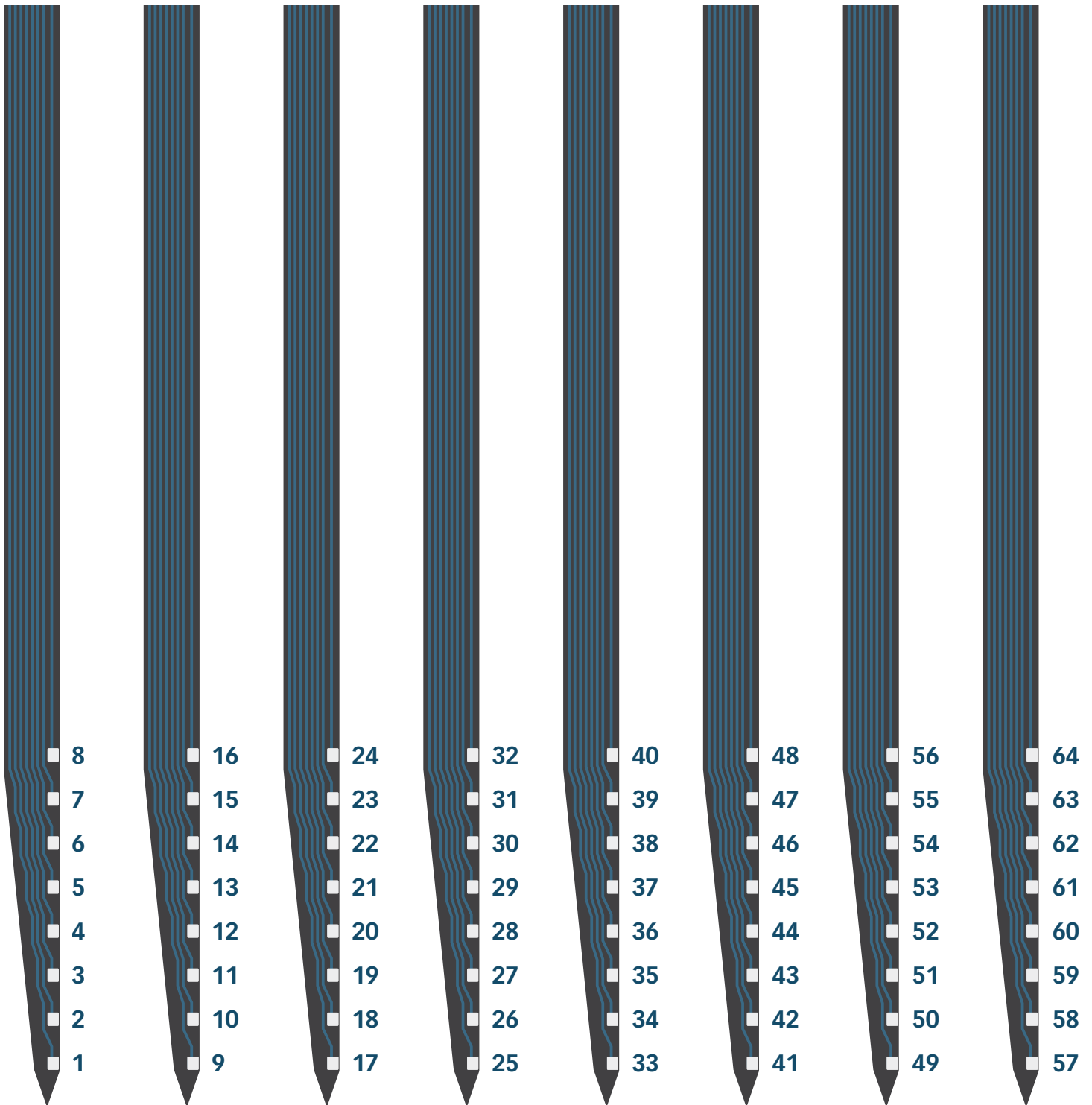
p.4





A8x8-Edge

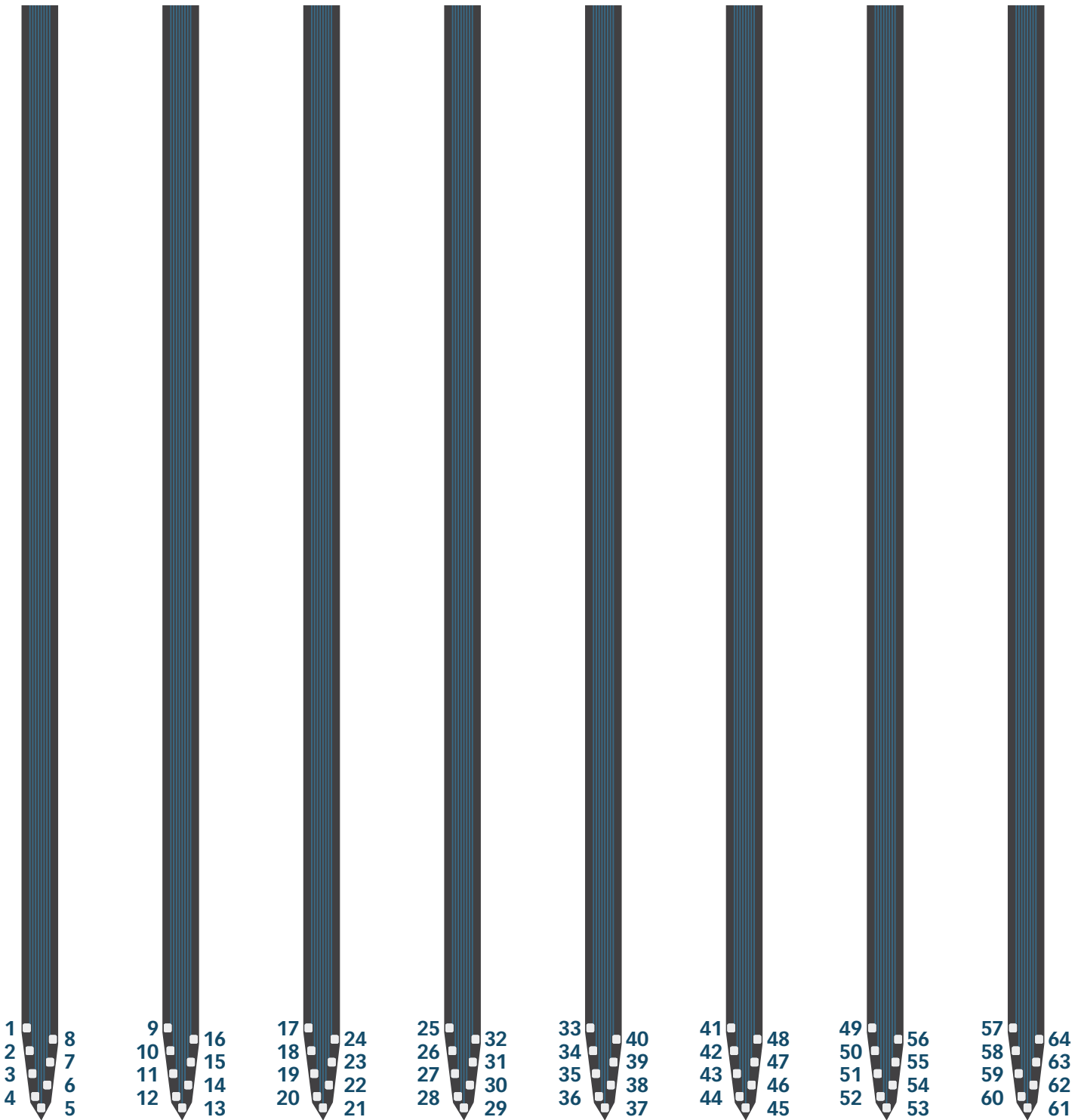
p.5





Buzsaki64 / Buzsaki64L

p.6





Buzsaki64sp / Buzsaki64spL

p.7

